



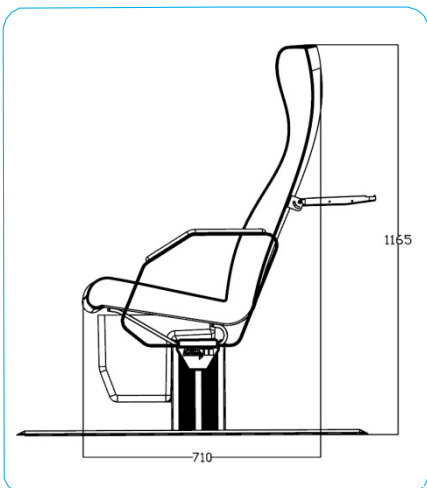
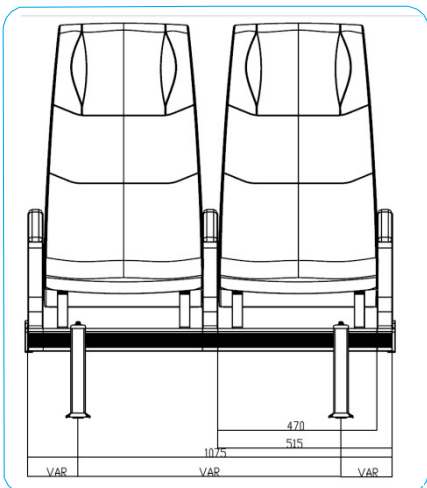
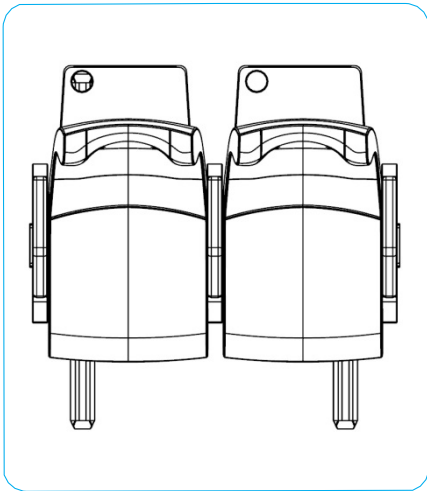
ECONOMY CLASS

The "Senja HS" series are designed with maximum seating comfort at a minimum cost. The seats have fixed back and a comfortable ergonomic feature.

The "Senja High HS" has a high back. Armrests are optional.

The "Senja High" is approved according to HSC-2000-Annex 10, level 1 and 2: gcoll up to 12g.

SENJA HS



*please reconfirm measurements with company!



Below form gives total width in mm, Based on number of armrest (45 mm) per row of seats.

Senja HS/High/Midi/Low		Armrests 45 mm						
Seats	Configuration	0	1	2	3	4	5	6
	1-seat row	470	515	560				
	2-seat row	940	985	1030	1075			
	3-seat row	1410	1455	1500	1545	1590		
	4-seat row	1880	1925	1970	2015	2060	2105	
	5-seat row	2350	2395	2440	2485	2530	2575	2620



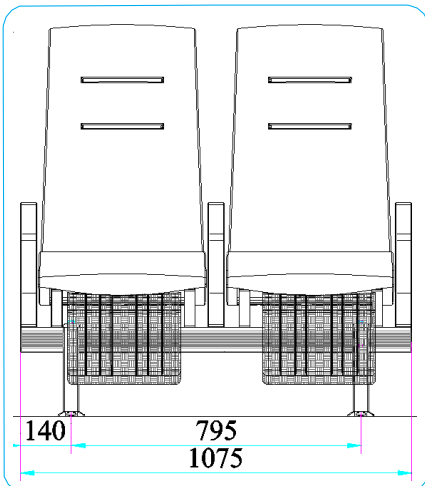
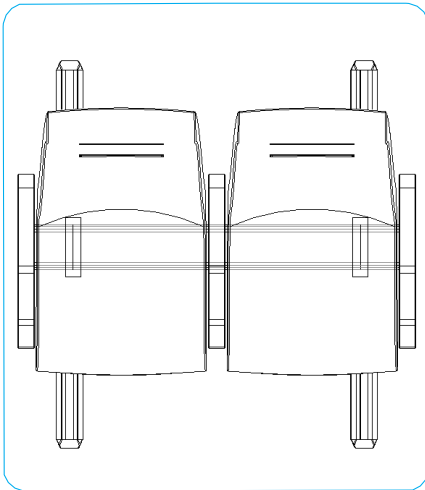
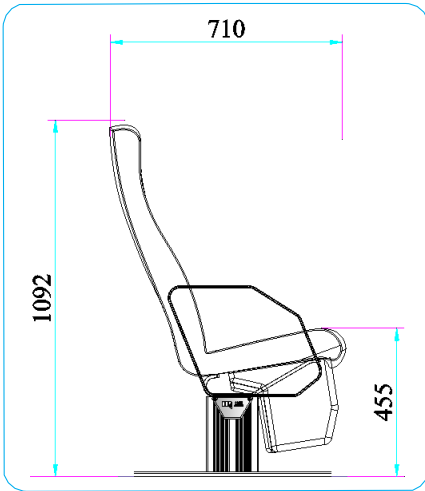
ECONOMY CLASS

The "Senja" series are designed with maximum seating comfort at a minimum cost. The seats have fixed back and a comfortable ergonomic feature.

The "Senja High" has a high back. Armrests are optional.

The "Senja High" is approved according to HSC-2000-Annex 10, level 1 and 2: gcoll up to 12g.

SENJA HIGH



Below form gives total width in mm, Based on number of armrest (45 mm,) per row of seats.

Senja HS/High/Midi/Low		Armrests 45 mm						
Seats	Configuration	0	1	2	3	4	5	6
	1-seat row	470	515	560				
	2-seat row	940	985	1030	1075			
	3-seat row	1410	1455	1500	1545	1590		
	4-seat row	1880	1925	1970	2015	2060	2105	
	5-seat row	2350	2395	2440	2485	2530	2575	2620

Leg position variable*
please reconfirm measurements with company!



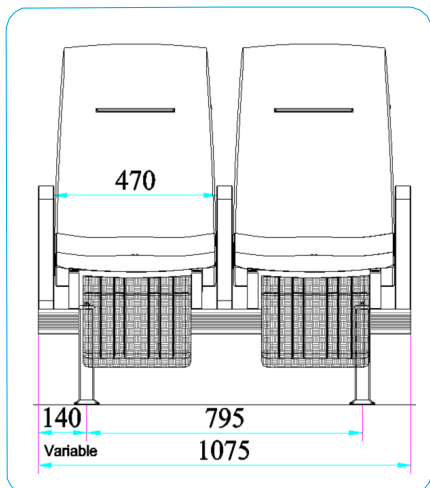
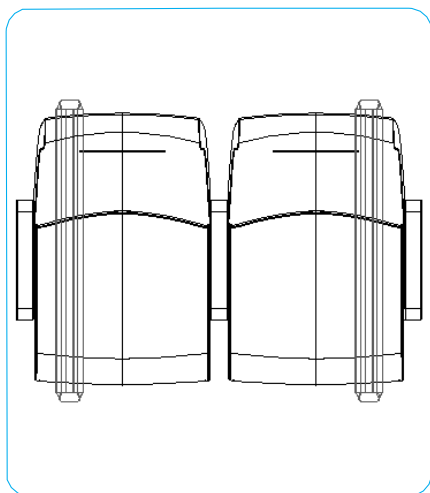
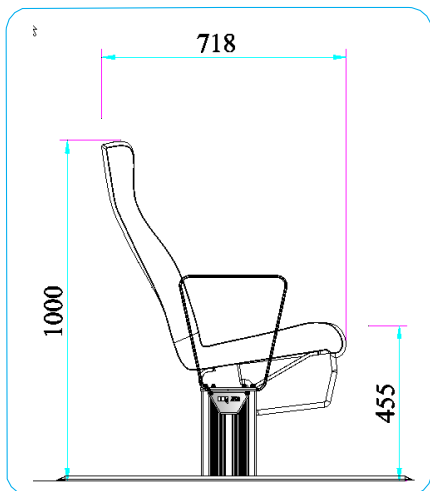
ECONOMY CLASS

The "Senja" series are designed with maximum seating comfort at a minimum cost. The seats have fixed back and a comfortable ergonomic feature.

The "Senja Medium" is delivered with a medium high back. Armrests are optional.

The "Senja Medium" is approved according to HSC-2000-Annex 10, level 1 and 2: gcoll up to 12g.

SENJA MIDI



Below form gives total width in mm, Based on number of armrest (45 mm,) per row of seats.

Senja HS/High/Midi/Low		Armrests 45 mm						
Seats	Configuration	0	1	2	3	4	5	6
	1-seat row	470	515	560				
	2-seat row	940	985	1030	1075			
	3-seat row	1410	1455	1500	1545	1590		
	4-seat row	1880	1925	1970	2015	2060	2105	
	5-seat row	2350	2395	2440	2485	2530	2575	2620

*please reconfirm measurements with company!



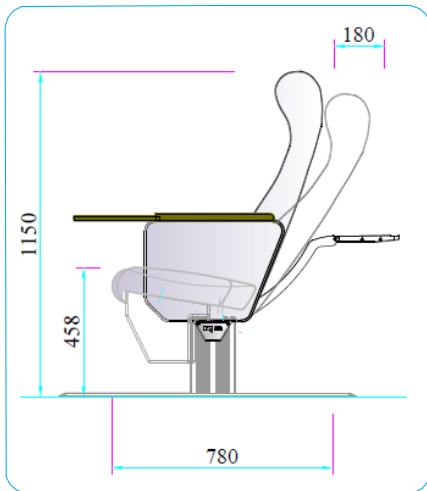
BUSINESS CLASS

The “Bahama 2000 Diplomat extended” offers extra comfort for passengers with a design allowing a more spacious seating experience than standard seating solutions. A chair for those with higher expectations!

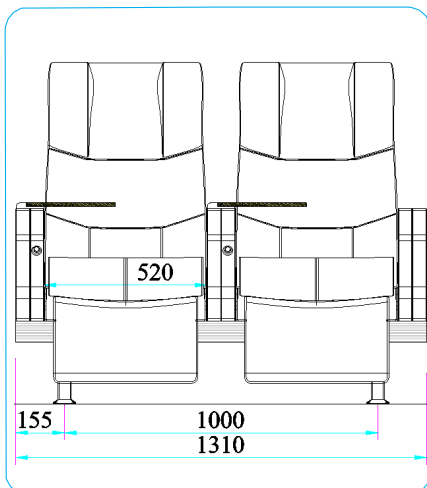
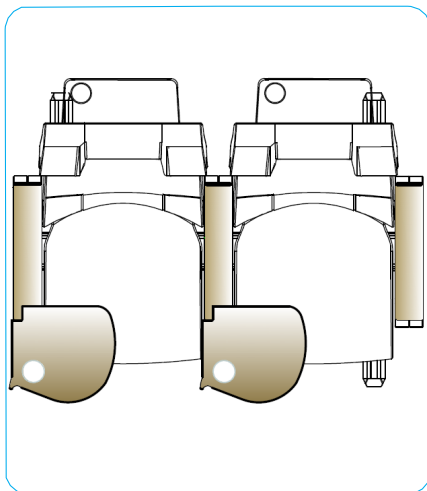
The “Bahama 2000 Diplomat extended” offers reclining possibilities down to 45dgr. The seats are delivered with closed armrests as standard for each individual seat.

The “Bahama 2000 Diplomat extended” is approved according to HSC-2000-Annex 10, level 1 and 2: gcoll up to 12g.

DIPLOMAT EXTENDED



total depth with 45dgr reclining: >1000mm



*please reconfirm measurements with company!



Below form gives total width in mm, Based on number of armrest (90 mm,) per row of seats.

Bahama 2000 Extended		Armrests 90 mm							
Seats	Configuration	0	1	2	3	4	5	6	
	1-seat row	520	610	700					
	2-seat row	1040	1130	1220	1310				
	3-seat row	1560	1650	1740	1830	1920			
	4-seat row	2080	2170	2260	2350	2440	2530		
	5-seat row	2600	2690	2780	2870	2960	3050	3140	

BAHAMA 2000 DIPLOMAT

Art: 2009



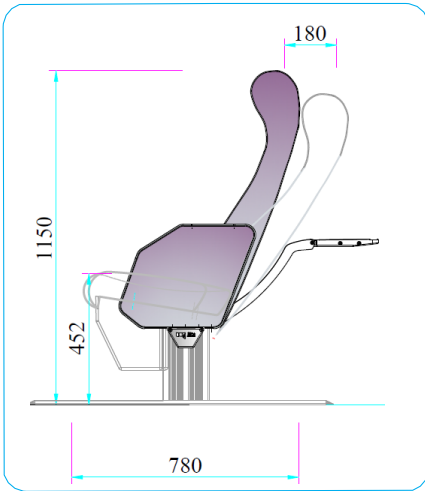
BUSINESS CLASS

The “Bahama 2000 Diplomat” offers extra comfort for passengers with a design allowing a more spacious seating experience than standard seating solutions. A chair for those with higher expectations!

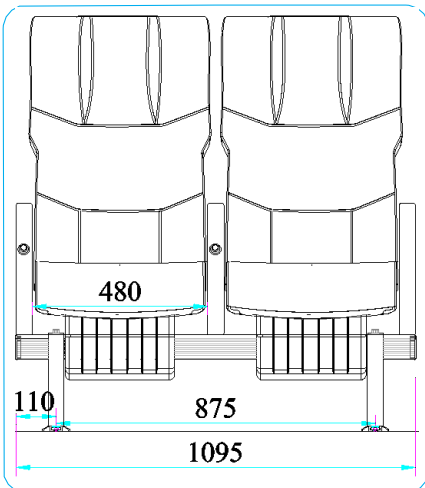
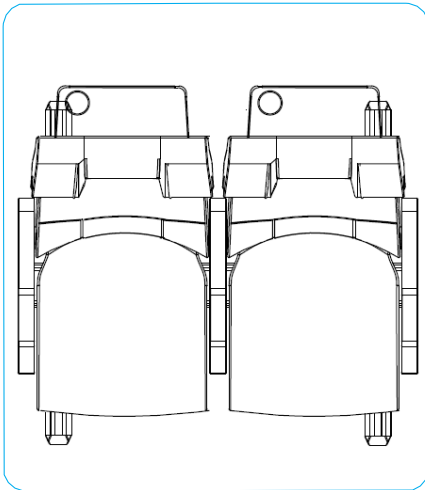
The “Bahama 2000 Diplomat” offers reclining possibilities down to 45dgr.
The seats are delivered with closed armrests as standard for each individual seat.

The “Bahama 2000 Diplomat” is approved according to HSC-2000-Annex 10, level 1 and 2: gcoll up to 12g.

BAHAMA 2000 DIPLOMAT Art: 2009



total depth with 45dgr reclining: >1000mm



*please reconfirm measurements with company!



Below form gives total width in mm, Based on number of armrest (45 mm) per row of seats.

Bahana 2000 Diplomat		Armrests 45 mm							
Seats	Configuration	0	1	2	3	4	5	6	
	1-seat row	480	525	570					
	2-seat row	960	1005	1050	1095				
	3-seat row	1440	1485	1530	1575	1620			
	4-seat row	1920	1965	2010	2055	2100	2145		
	5-seat row	2400	2445	2490	2535	2580	2625	2670	

BAHAMA 2000 DIPLOMAT

Art: 2009

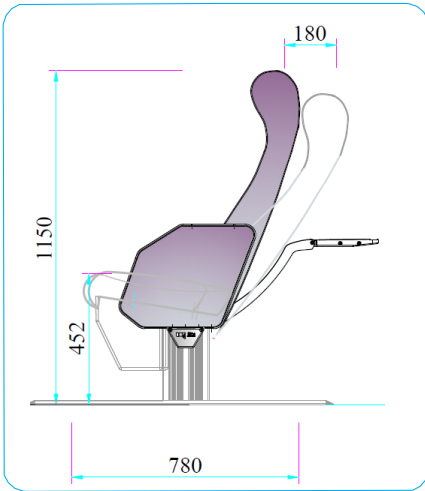


BUSINESS CLASS

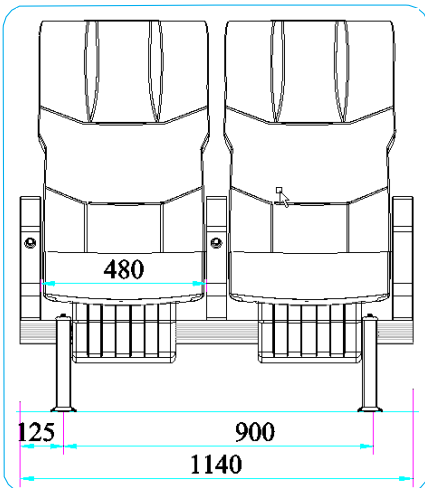
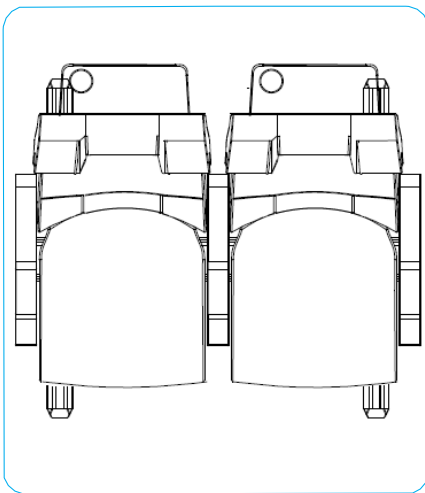
The “Bahama 2000 Diplomat” offers extra comfort for passengers with a design allowing a more spacious seating experience than standard seating solutions. A chair for those with higher expectations!

The “Bahama 2000 Diplomat” offers reclining possibilities down to 45gr.
The seats are delivered with closed armrests as standard for each individual seat.

The “Bahama 2000 Diplomat” is approved according to HSC-2000-Annex 10, level 1 and 2: gcoll up to 12g.



total depth with 45dgr reclining: >1000mm



*please reconfirm measurements with company!

Below form gives total width in mm, Based on number of armrest (60 mm) per row of seats.

Bahana 2000 Diplomat		Armrests 60 mm							
Seats	Configuration	0	1	2	3	4	5	6	
	1-seat row	480	540	600					
	2-seat row	960	1020	1080	1140				
	3-seat row	1440	1500	1560	1620	1680			
	4-seat row	1920	1980	2040	2100	2160	2220		
	5-seat row	2400	2460	2520	2580	2640	2700	2760	

BAHAMA 2000 DIPLOMAT

Art: 2009



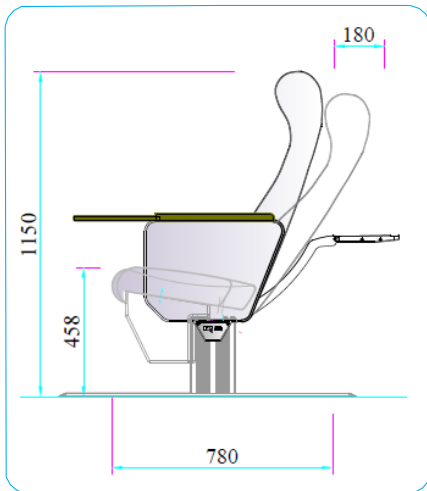
BUSINESS CLASS

The “Bahama 2000 Diplomat” offers extra comfort for passengers with a design allowing a more spacious seating experience than standard seating solutions. A chair for those with higher expectations!

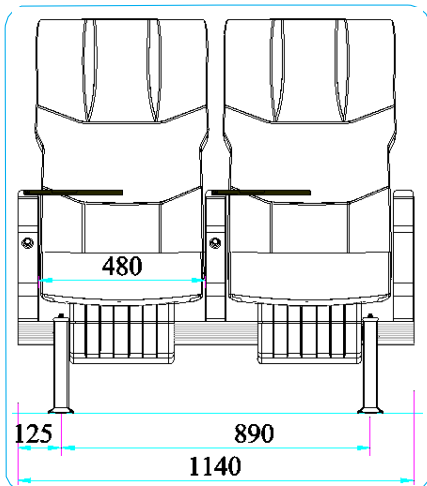
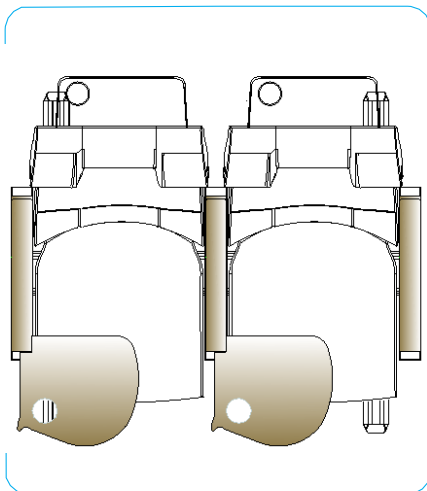
The “Bahama 2000 Diplomat” offers reclining possibilities down to 45dgr.
The seats are delivered with closed armrests as standard for each individual seat.

The “Bahama 2000 Diplomat” is approved according to HSC-2000-Annex 10,
level 1 and 2: gcoll up to 12g.

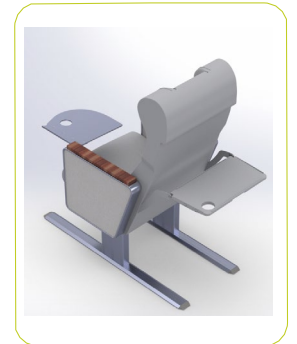
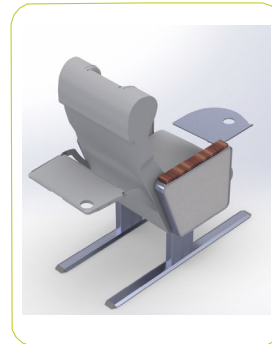
BAHAMA 2000 DIPLOMAT Art: 2009



total depth with 45dgr reclining: >1000mm



*please reconfirm measurements with company!



Below form gives total width in mm, Based on number of armrest (60 mm) per row of seats.

Bahana 2000 Diplomat		Armrests 60 mm							
Seats	Configuration	0	1	2	3	4	5	6	
	1-seat row	480	540	600					
	2-seat row	960	1020	1080	1140				
	3-seat row	1440	1500	1560	1620	1680			
	4-seat row	1920	1980	2040	2100	2160	2220		
	5-seat row	2400	2460	2520	2580	2640	2700	2760	

BAHAMA 2000 DIPLOMAT

Art: 2009



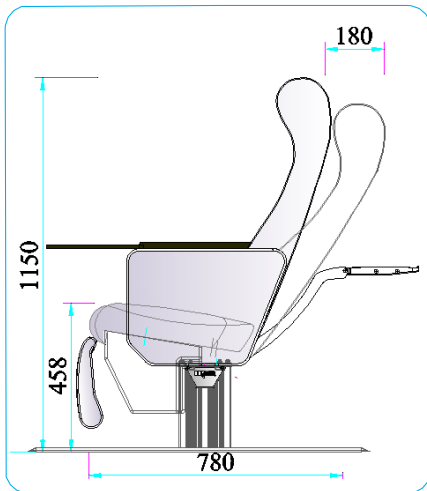
BUSINESS CLASS

The “Bahama 2000 Diplomat” offers extra comfort for passengers with a design allowing a more spacious seating experience than standard seating solutions. A chair for those with higher expectations!

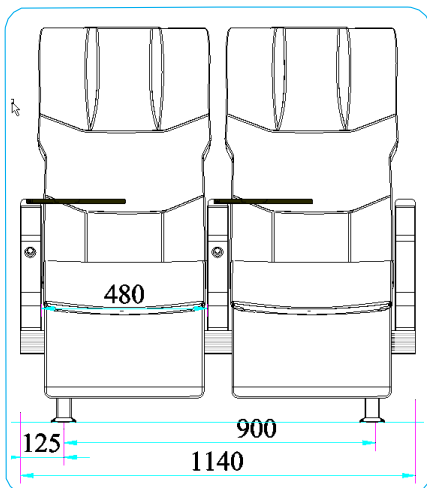
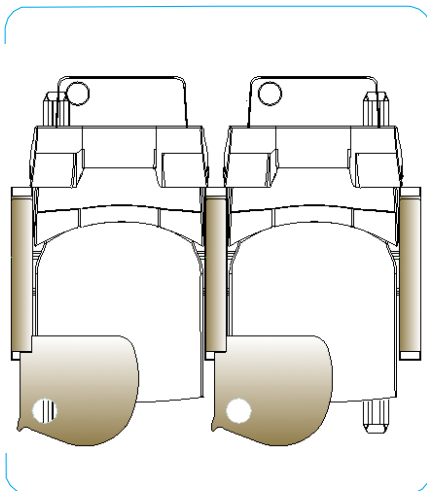
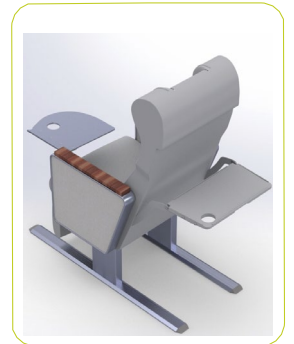
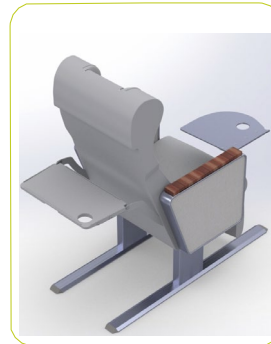
The “Bahama 2000 Diplomat” offers reclining possibilities down to 45dgr.
The seats are delivered with closed armrests as standard for each individual seat.

The “Bahama 2000 Diplomat” is approved according to HSC-2000-Annex 10,
level 1 and 2: gcoll up to 12g.

BAHAMA 2000 DIPLOMAT Art: 2009



total depth with 45dgr reclining: >1000mm



*please reconfirm measurements with company!

Below form gives total width in mm, Based on number of armrest (60 mm,) per row of seats.

Bahana 2000 Diplomat		Armrests 60 mm							
Seats	Configuration	0	1	2	3	4	5	6	
	1-seat row	480	540	600					
	2-seat row	960	1020	1080	1140				
	3-seat row	1440	1500	1560	1620	1680			
	4-seat row	1920	1980	2040	2100	2160	2220		
	5-seat row	2400	2460	2520	2580	2640	2700	2760	

BAHAMA 2000 DIPLOMAT

Art: 2009



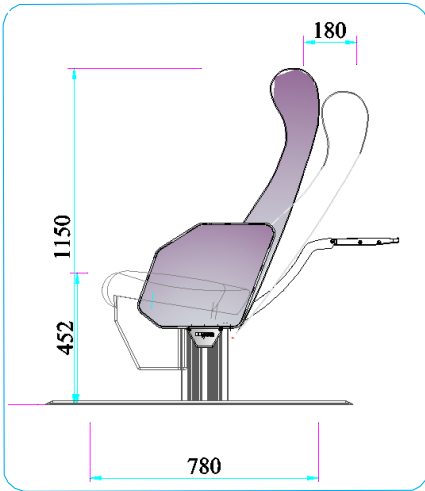
BUSINESS CLASS

The “Bahama 2000 Diplomat” offers extra comfort for passengers with a design allowing a more spacious seating experience than standard seating solutions. A chair for those with higher expectations!

The “Bahama 2000 Diplomat” offers reclining possibilities down to 45dgr.
The seats are delivered with closed armrests as standard for each individual seat.

The “Bahama 2000 Diplomat” is approved according to HSC-2000-Annex 10,
level 1 and 2: gcoll up to 12g.

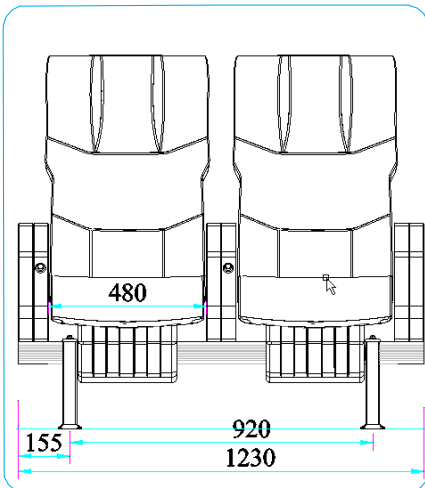
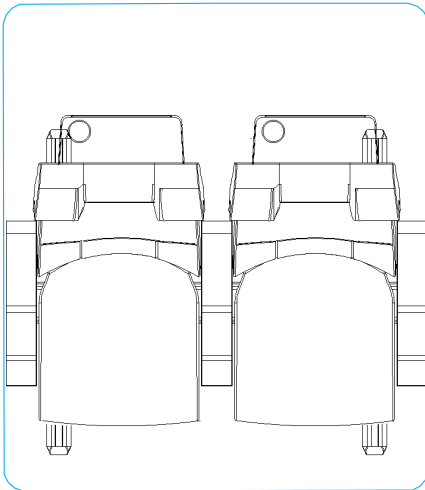
BAHAMA 2000 DIPLOMAT Art: 2009



total depth with 45gr reclining: >1000mm



Below form gives total with in mm, Based on number of armrest (90 mm,) per row of seats.



*please reconfirm measurements with company!

Bahana 2000 Diplomat		Armrests 90 mm							
Seats	Configuration	0	1	2	3	4	5	6	
	1-seat row	480	570	660					
	2-seat row	960	1050	1140	1230				
	3-seat row	1440	1530	1620	1710	1800			
	4-seat row	1920	2010	2100	2190	2280	2370		
	5-seat row	2400	2490	2580	2670	2760	2850	2940	

BAHAMA 2000 DIPLOMAT

Art: 2009

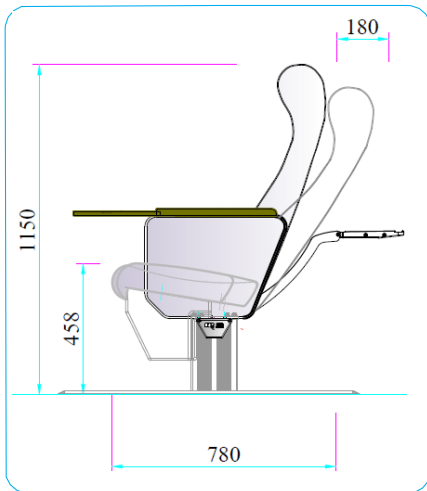


BUSINESS CLASS

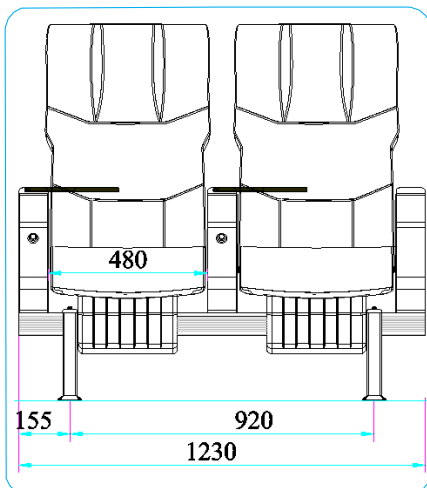
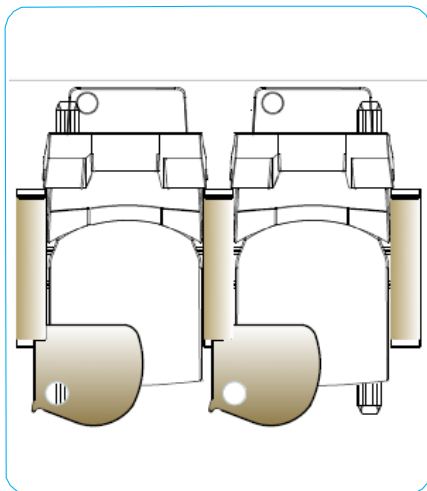
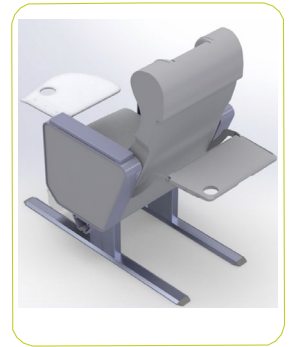
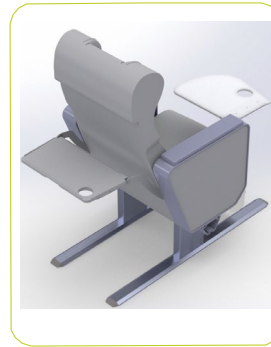
The “Bahama 2000 Diplomat” offers extra comfort for passengers with a design allowing a more spacious seating experience than standard seating solutions. A chair for those with higher expectations!

The “Bahama 2000 Diplomat” offers reclining possibilities down to 45dgr.
The seats are delivered with closed armrests as standard for each individual seat.

The “Bahama 2000 Diplomat” is approved according to HSC-2000-Annex 10,
level 1 and 2: gcoll up to 12g.



total depth with 45gr reclining: >1000mm



*please reconfirm measurements with company!

Below form gives total width in mm, Based on number of armrest (90 mm,) per row of seats.

Bahana 2000 Diplomat		Armrests 90 mm						
Seats	Configuration	0	1	2	3	4	5	6
	1-seat row	480	570	660				
	2-seat row	960	1050	1140	1230			
	3-seat row	1440	1530	1620	1710	1800		
	4-seat row	1920	2010	2100	2190	2280	2370	
	5-seat row	2400	2490	2580	2670	2760	2850	2940

BAHAMA 2000 DIPLOMAT

Art: 2009

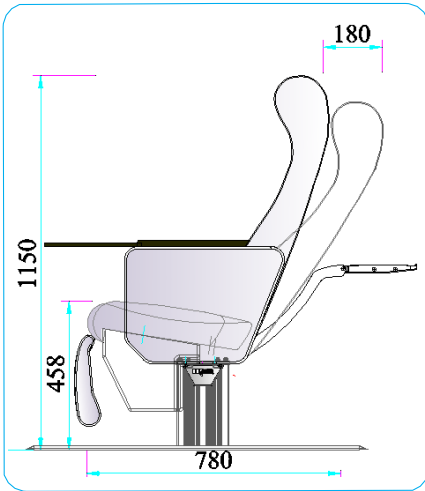


BUSINESS CLASS

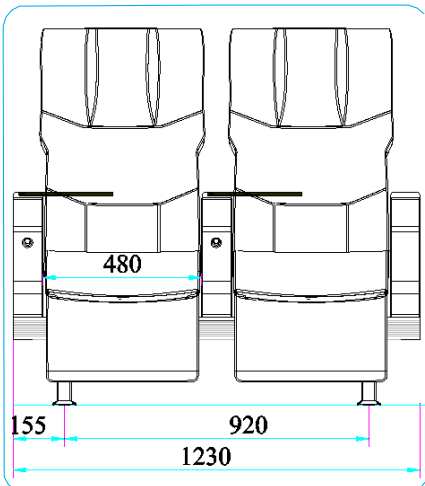
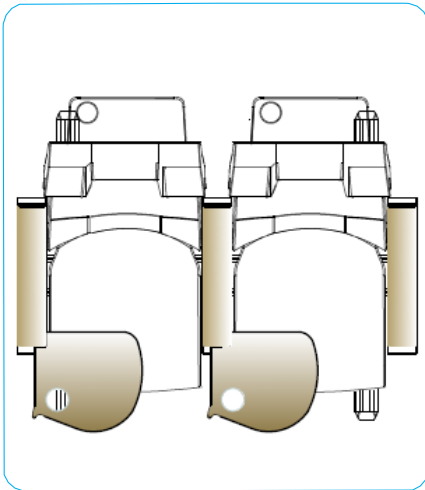
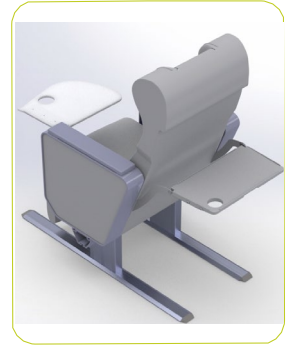
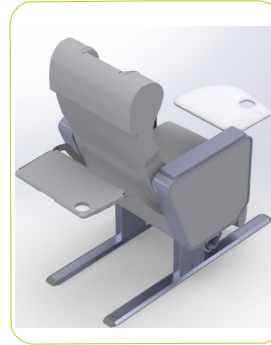
The “Bahama 2000 Diplomat” offers extra comfort for passengers with a design allowing a more spacious seating experience than standard seating solutions. A chair for those with higher expectations!

The “Bahama 2000 Diplomat” offers reclining possibilities down to 45dgr.
The seats are delivered with closed armrests as standard for each individual seat.

The “Bahama 2000 Diplomat” is approved according to HSC-2000-Annex 10, level 1 and 2: gcoll up to 12g.



total depth with 45dgr reclining: >1000mm



*please reconfirm measurements with company!

Below form gives total with in mm, Based on number of armrest (90 mm.) per row of seats.

Bahana 2000 Diplomat		Armrests 90 mm						
Seats	Configuration	0	1	2	3	4	5	6
	1-seat row	480	570	660				
	2-seat row	960	1050	1140	1230			
	3-seat row	1440	1530	1620	1710	1800		
	4-seat row	1920	2010	2100	2190	2280	2370	
	5-seat row	2400	2490	2580	2670	2760	2850	2940

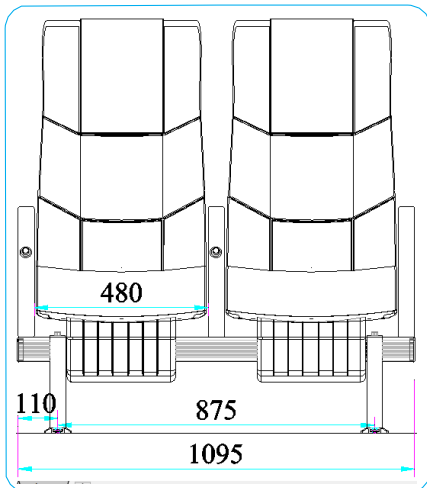
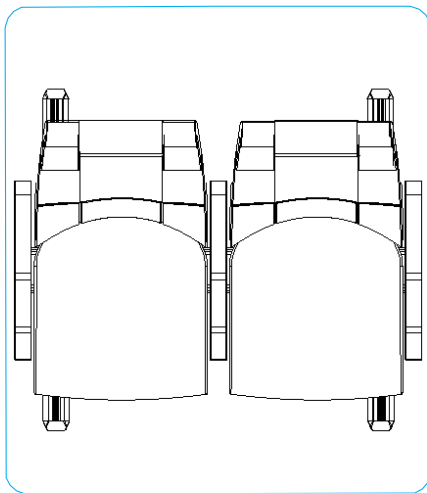
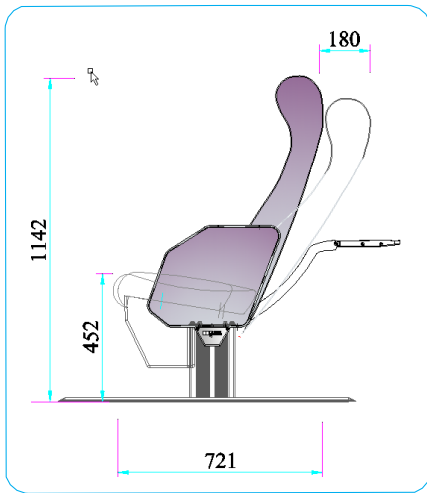


COMFORT CLASS PLUS

The “Bahama 2000 HS” is designed to give passengers a best possible seating experience during the voyage. Reclining, high back and head support as standard features has made this one of our most popular seats. The seats are delivered with closed armrests for each individual seat but other arrangements are available.

The “Bahama 2000 HS” is approved according to HSC-2000-Annex 10, level 1 and 2: gcoll up to 12g.

BAHAMA 2000 HS



Below form gives total width in mm, Based on number of armrest (45 mm,) per row of seats.

Bahana 2000 HS		Armrests 45 mm							
Seats	Configuration	0	1	2	3	4	5	6	
	1-seat row	480	525	570					
	2-seat row	960	1005	1050	1095				
	3-seat row	1440	1485	1530	1575	1620			
	4-seat row	1920	1965	2010	2055	2100	2145		
	5-seat row	2400	2445	2490	2535	2580	2625	2670	

*please reconfirm measurements with company!

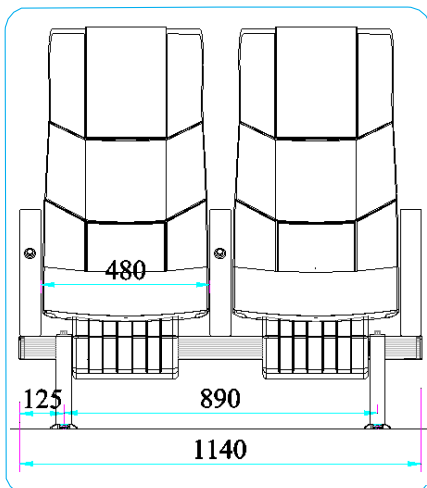
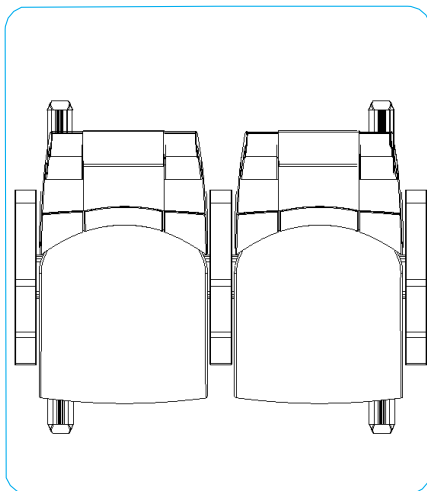
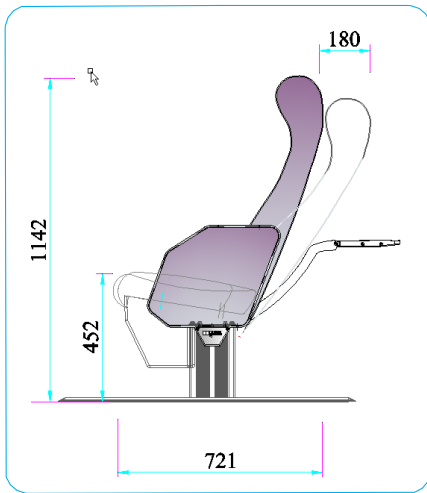


COMFORT CLASS PLUS

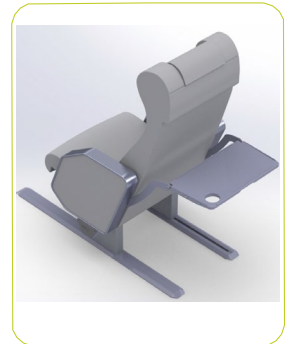
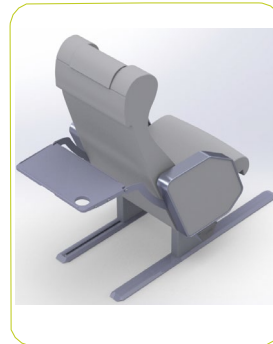
The “Bahama 2000 HS” is designed to give passengers a best possible seating experience during the voyage. Reclining, high back and head support as standard features has made this one of our most popular seats. The seats are delivered with closed armrests for each individual seat but other arrangements are available.

The “Bahama 2000 HS” is approved according to HSC-2000-Annex 10, level 1 and 2: gcoll up to 12g.

BAHAMA 2000 HS



*please reconfirm measurements with company!



Below form gives total width in mm, Based on number of armrest (60 mm,) per row of seats.

Bahana 2000 HS		Armrests 60 mm							
Seats	Configuration	0	1	2	3	4	5	6	
	1-seat row	480	540	600					
	2-seat row	960	1020	1080	1140				
	3-seat row	1440	1500	1560	1620	1680			
	4-seat row	1920	1980	2040	2100	2160	2220		
	5-seat row	2400	2460	2520	2580	2640	2700	2760	

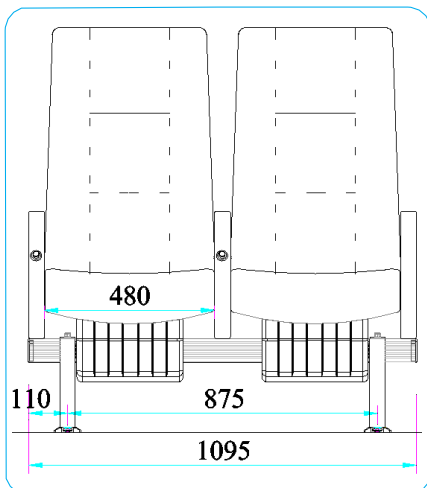
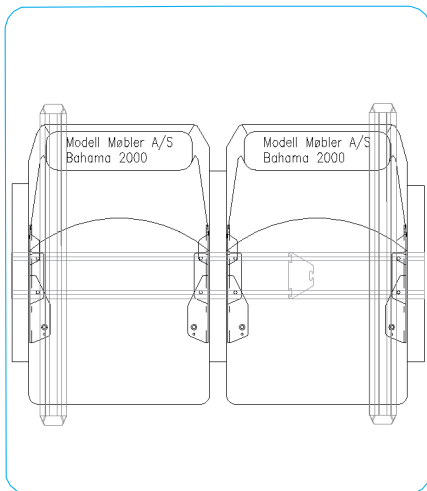
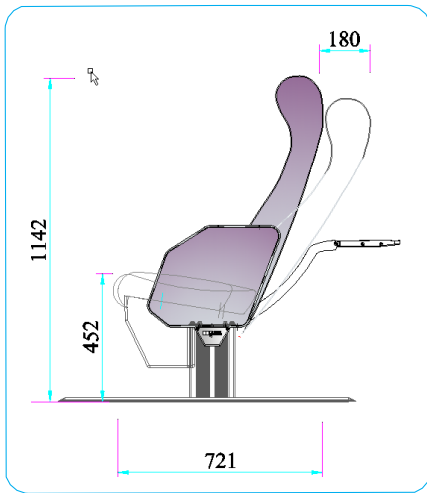


COMFORT CLASS

The “Bahama 2000” is designed to give passengers a best possible seating experience during the voyage. Comfortable features such as reclining and high back are standard. The seats are delivered with closed armrests for each individual seat as standard, but other arrangements are available.

The “Bahama 2000” is approved according to HSC-2000-Annex 10, level 1 and 2: gcoll up to 12g.

BAHAMA 2000



*please reconfirm measurements with company!



Below form gives total width in mm, Based on number of armrest (45 mm,) per row of seats.

Bahana 2000		Armrests 45 mm							
Seats	Configuration	0	1	2	3	4	5	6	
	1-seat row	480	525	570					
	2-seat row	960	1005	1050	1095				
	3-seat row	1440	1485	1530	1575	1620			
	4-seat row	1920	1965	2010	2055	2100	2145		
	5-seat row	2400	2445	2490	2535	2580	2625	2670	

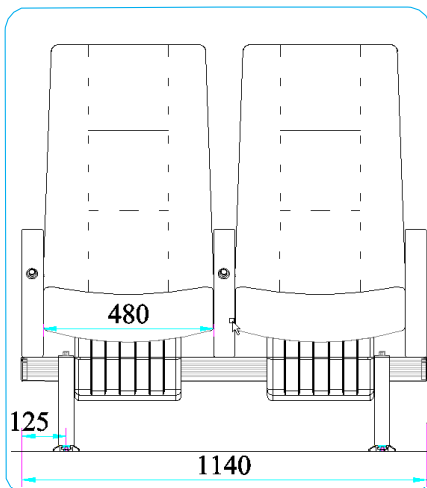
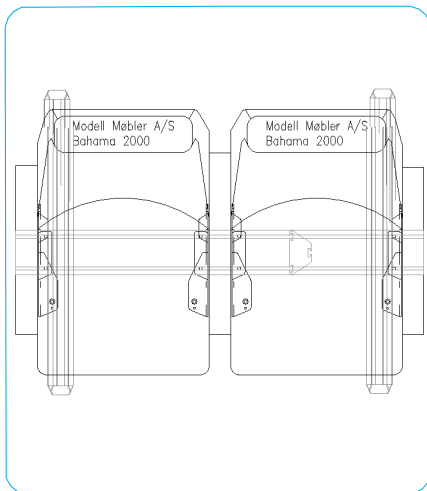
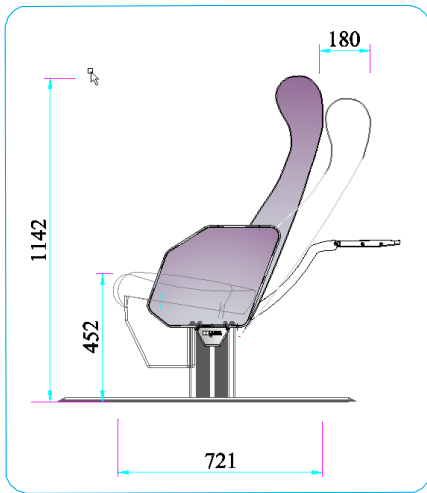


COMFORT CLASS

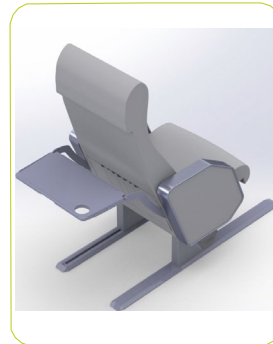
The “Bahama 2000” is designed to give passengers a best possible seating experience during the voyage. Comfortable features such as reclining and high back are standard. The seats are delivered with closed armrests for each individual seat as standard, but other arrangements are available.

The “Bahama 2000” is approved according to HSC-2000-Annex 10, level 1 and 2: gcoll up to 12g.

BAHAMA 2000



*please reconfirm measurements with company!



Below form gives total width in mm, Based on number of armrest (60 mm,) per row of seats.

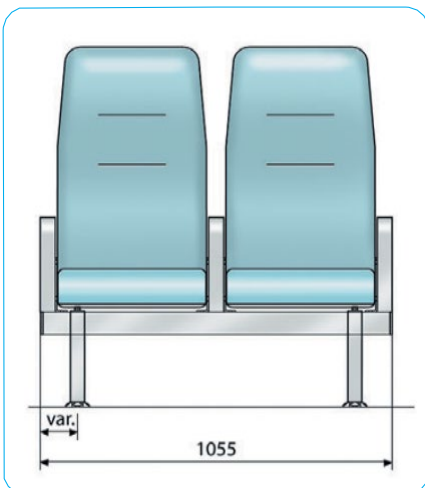
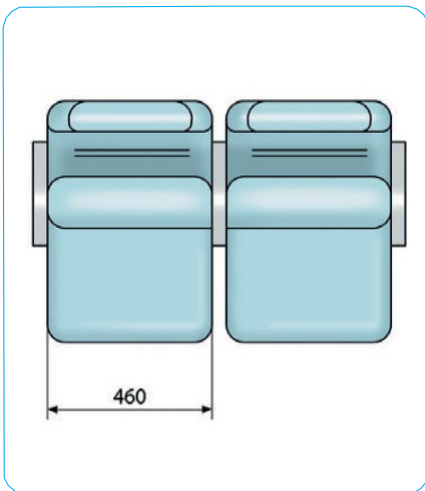
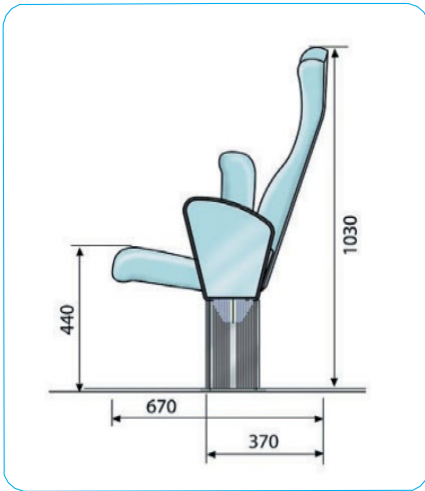
Bahana 2000		Armrests 60 mm							
Seats	Configuration	0	1	2	3	4	5	6	
	1-seat row	480	540	600					
	2-seat row	960	1020	1080	1140				
	3-seat row	1440	1500	1560	1620	1680			
	4-seat row	1920	1980	2040	2100	2160	2220		
	5-seat row	2400	2460	2520	2580	2640	2700	2760	

**SPACE SAVER**

The "Bahama 4000 Turn Up" has the same ergonomic features as our "Bahama Cinema" and "Bahama Turn Up". Armrests are optional.

The "Bahama 4000 Turn Up" up is designed to allow better passage between seat rows, but at the same time maintain a comfortable seating for the passengers.

BAHAMAMA 4000 TURN UP



		ARMRESTS – Nos/row								
		0	1	2	3	4	5	6	7	Legs Nos/row
SEATS – Nos/row	1	460	505	550						2
	2	920	965	1010	1055					2
	3	1380	1425	1470		1560				2
	4*	1840	1885	1930			2065			3
	5	2300	2345	2390				2570		3
	6	2760	2805	2850					3075	3

*Weight excl. armrests based on a 4-seat arrangement: apprx. 10 kgs/seat

*please reconfirm measurements with company!



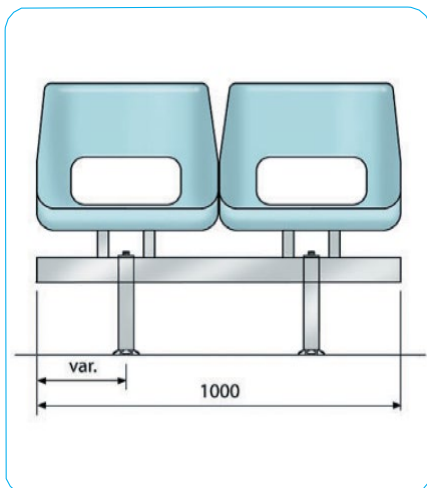
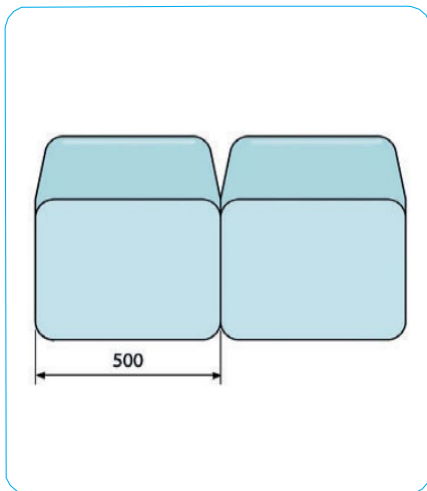
OUTDOOR SEATING

The "Senja Outdoor" is an all weather chair with foldable back, mounted on the same beam and legs as the other chairs in Modell Møbler's range.

The chair is delivered without armrests as standard.

Different colors is available

SENJA OUTDOOR



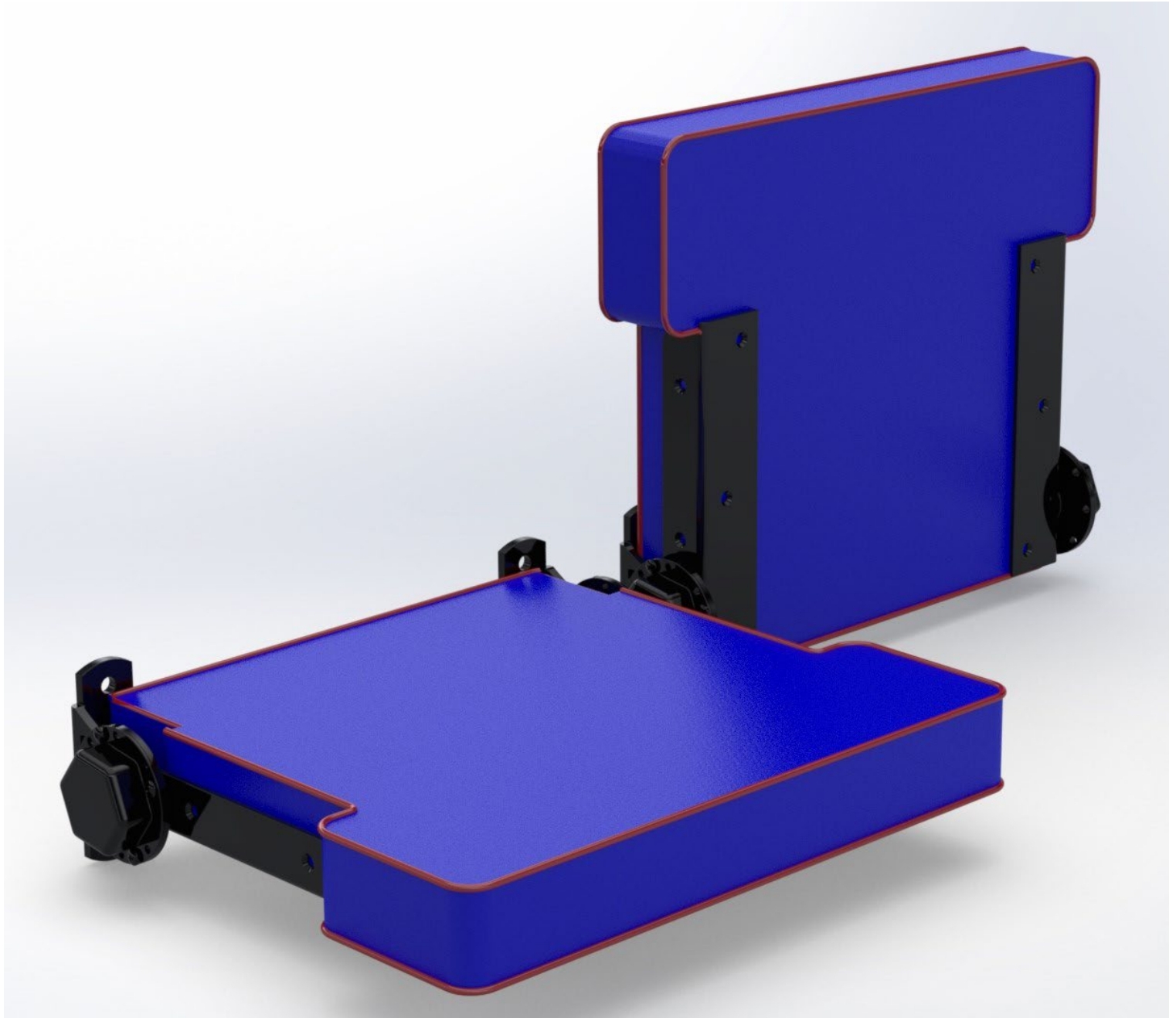
*please reconfirm measurements with company!



		ARMRESTS – Nos/row								Legs Nos/row
		0	1	2	3	4	5	6	7	
SEATS – Nos/row	1	500								2
	2	1000								2
	3	1500								2
	4*	2000								2
	5	2500								2/3
	6	3000								3

*Weight based on a 4 seat arrangement incl. beam and legs: apprx. 5kgs/seat

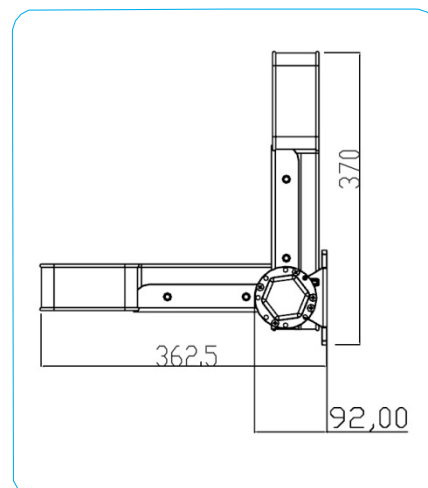
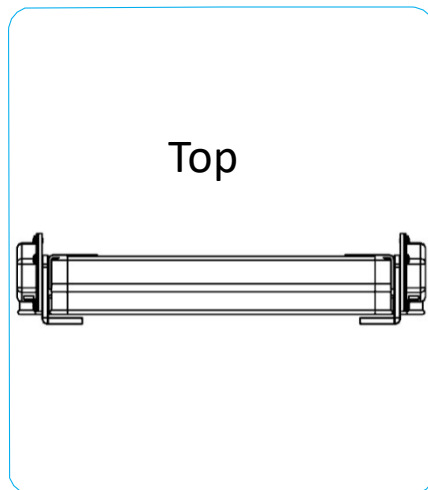
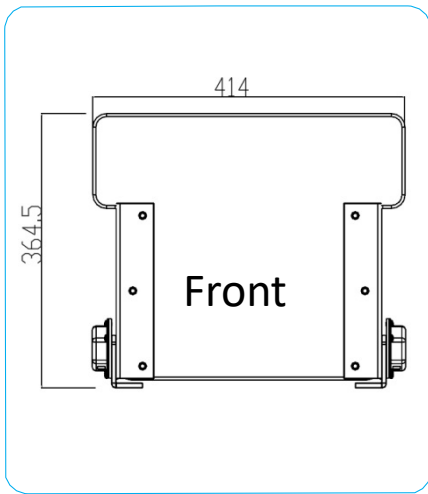
WALL MOUNTED SEAT Art: 364.450.20



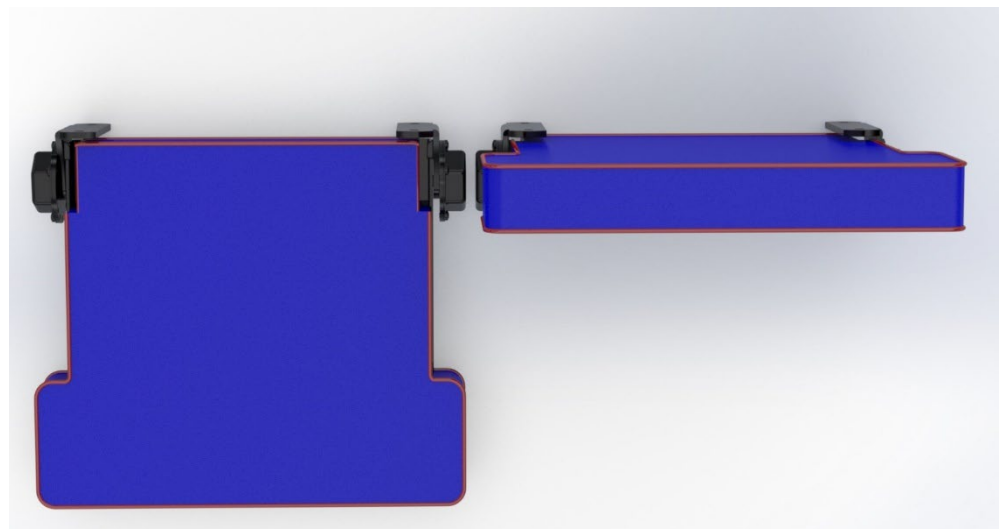
SPACE SAVER

The wall mounted seat, is for use on places where you should have a seat, but there is no space for it. The bracket has a strong feather inside, so it will stay in upright position when not in use.

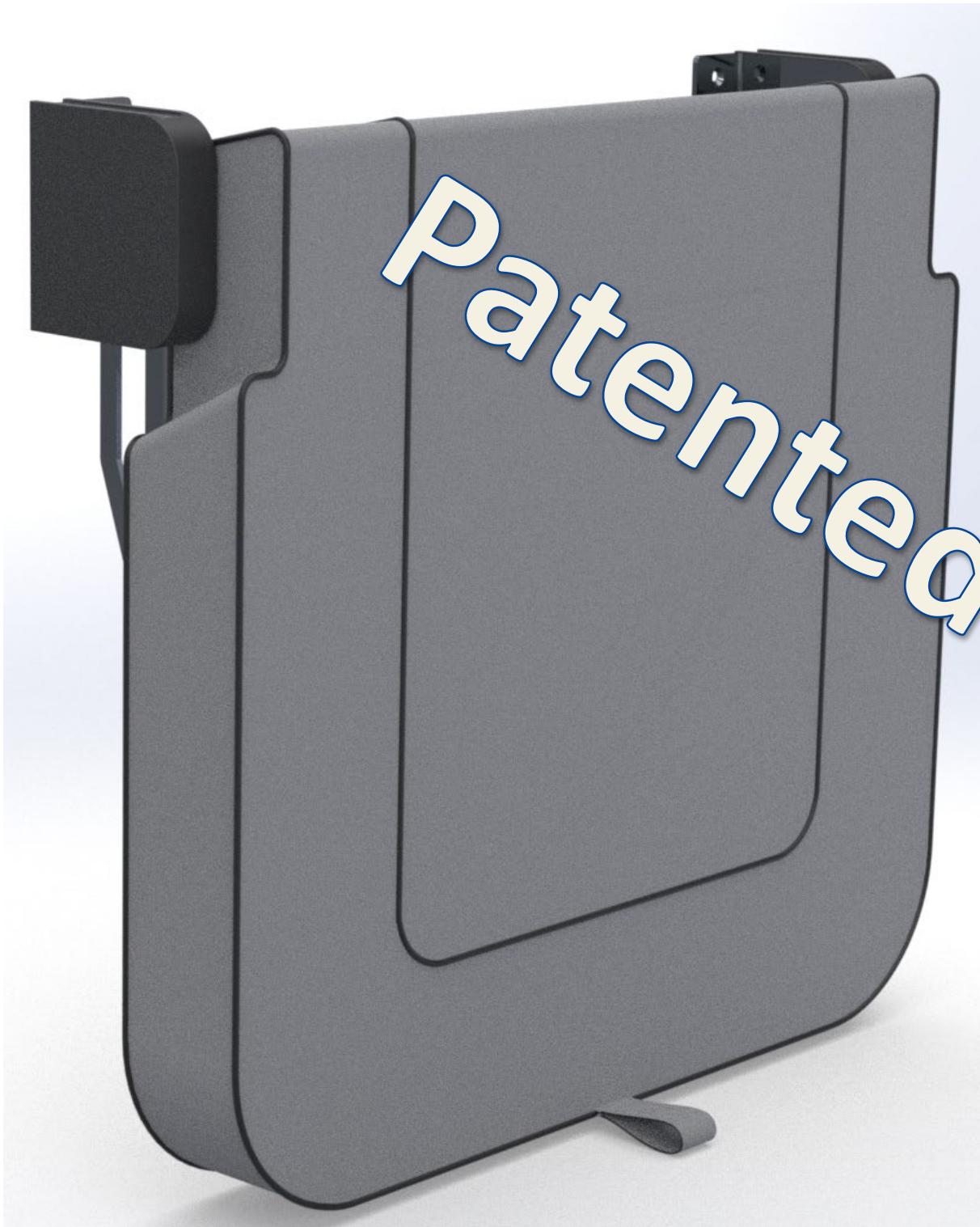
WALL MOUNTED SEAT



*please reconfirm measurements with company!



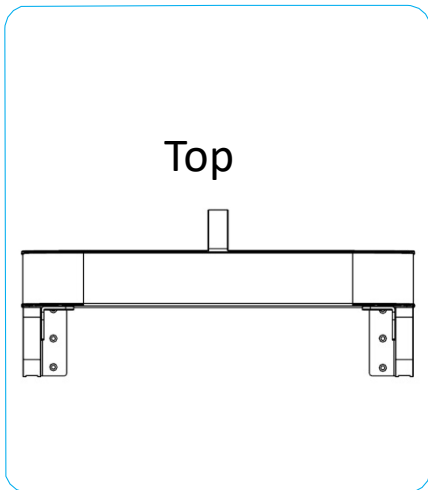
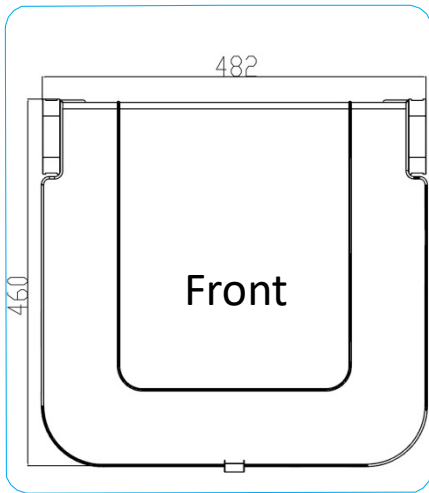
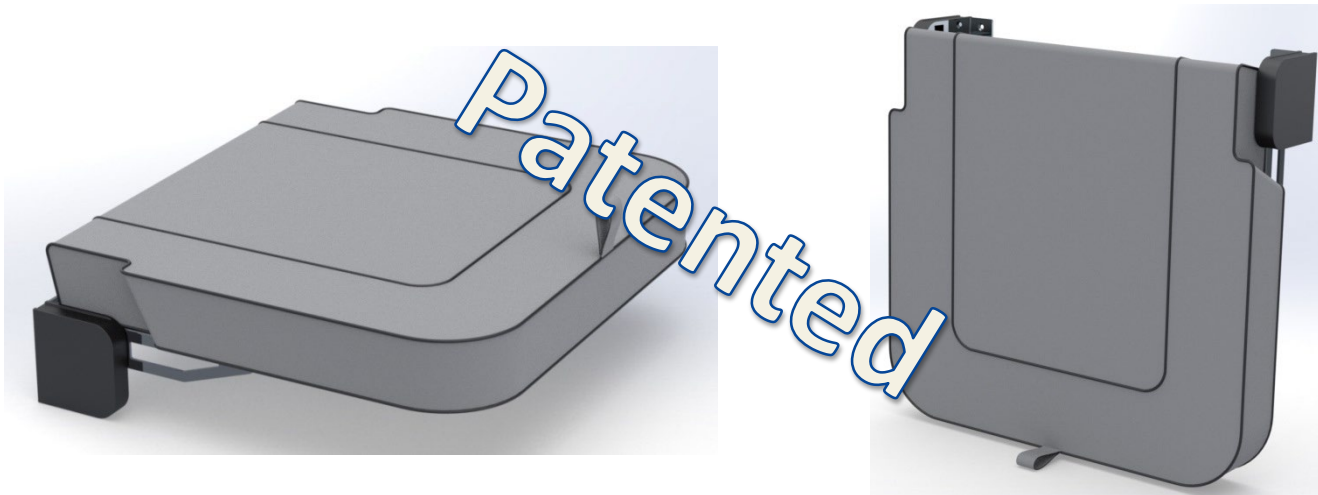
PULL UP SEAT



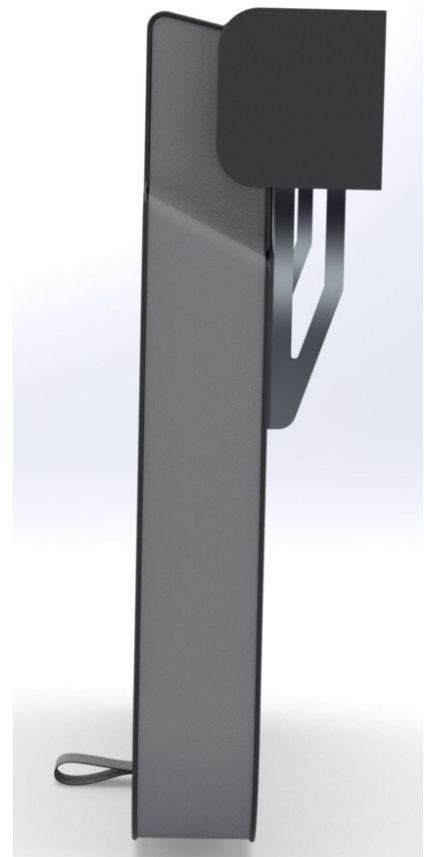
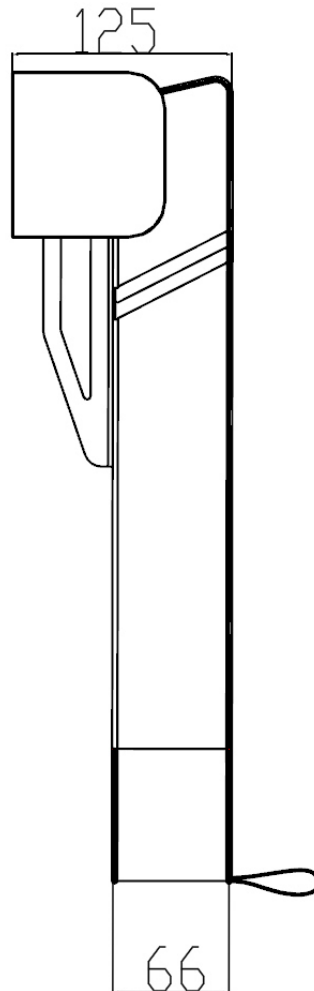
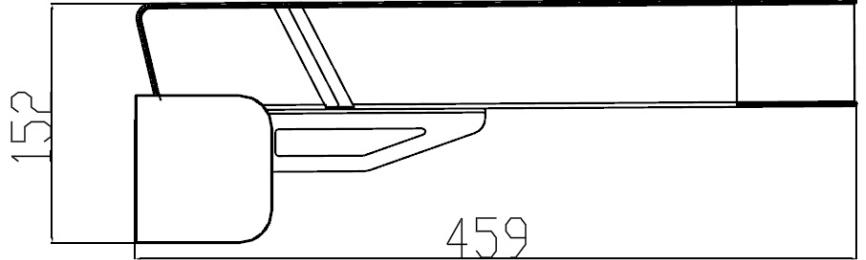
SPACE SAVER

The wall mounted pullup seat is for use where there is less space for seating. Since this seat is pulled up, it will not steal any space over the seat. You could mount it under a window. When you pull up the seat, it snaps into position and stays there. To unlock it again, push it up and back, and it will snap into its lower position and stay there. The seat should be mounted about 450 mm above the floor. The hinge is patent pending.

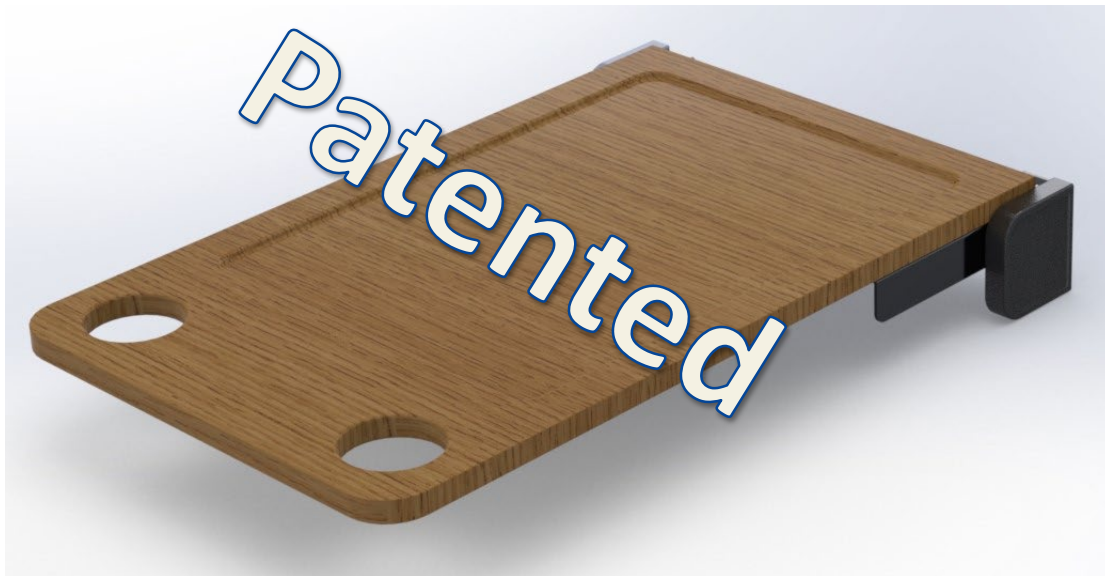
PULL UP SEAT



*please reconfirm measurements with company!



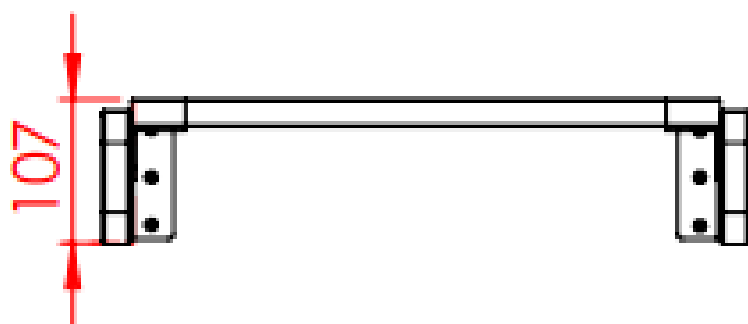
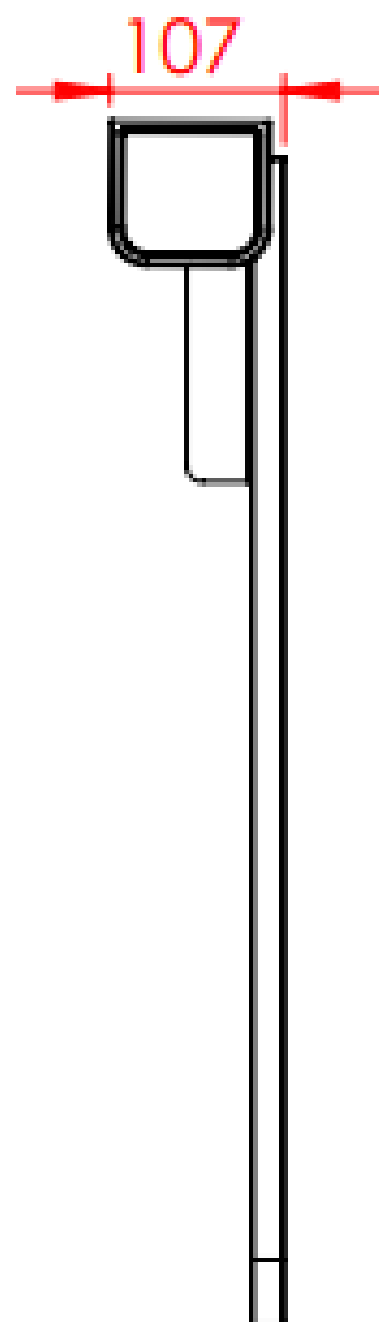
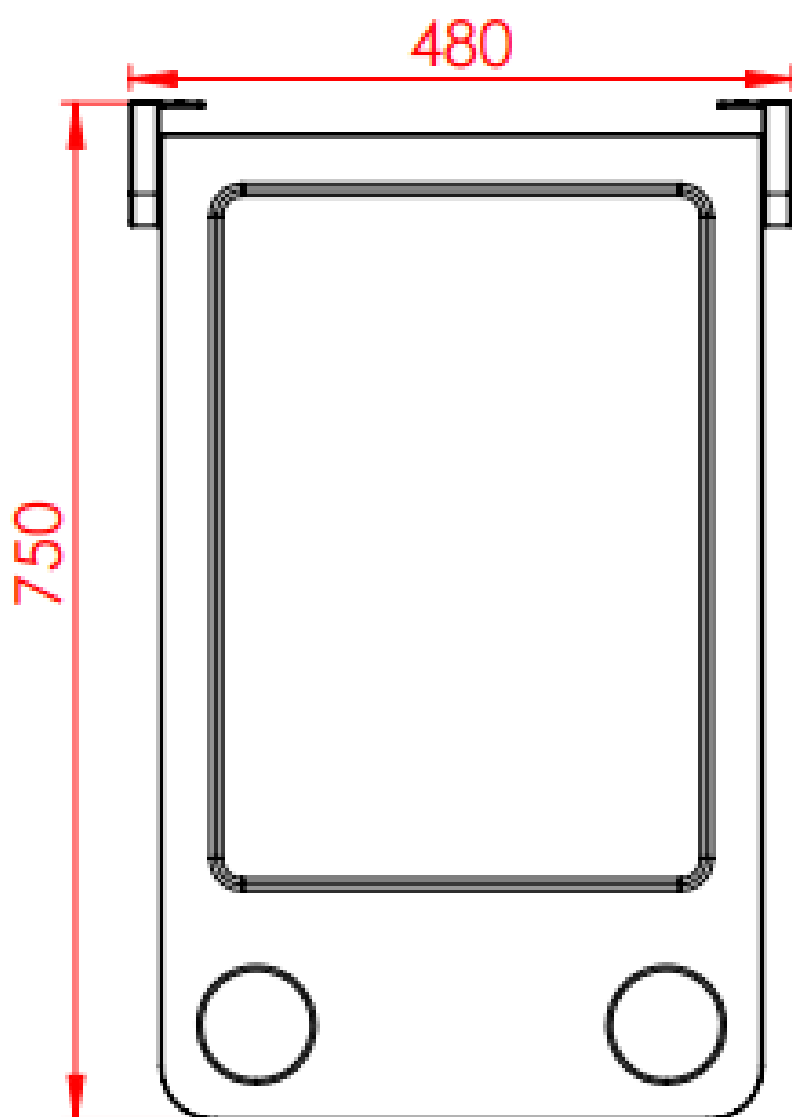
PULL UP TABLE



SPACE SAVER

The wall mounted pullup table, is for use where there is less space. Since this table is pulled up, it will not steal any space over the table. You could mount in under a window. You dont have to deal with any legs, or brackets to hold it in position. Just pull it up and it snaps into place and stay there. To unlock it again, push it up and back, and it will snap into its lower position and stay there. The table should be mounted about 700 mm above the floor. The hinge is patent pending. The size could vary, or you could just buy the hinge.

PULL UP TABLE



PULL UP TABLE



SENJA Outdoor ALU: Art: 2019

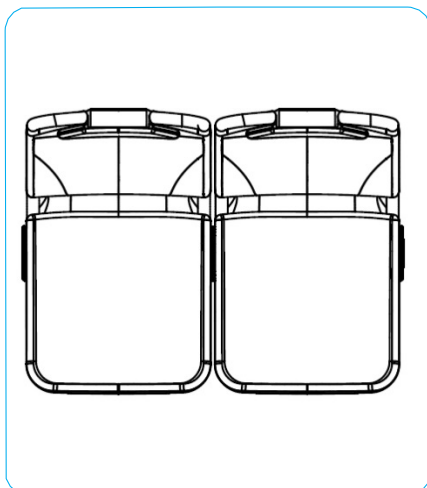
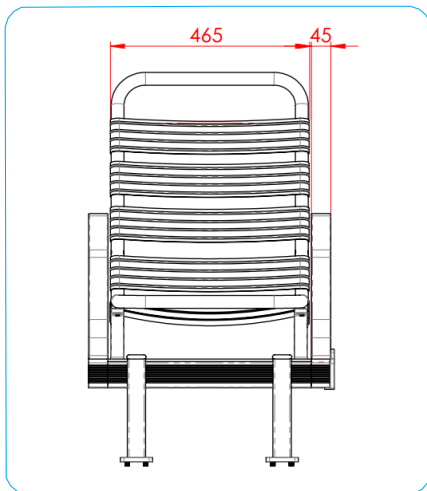
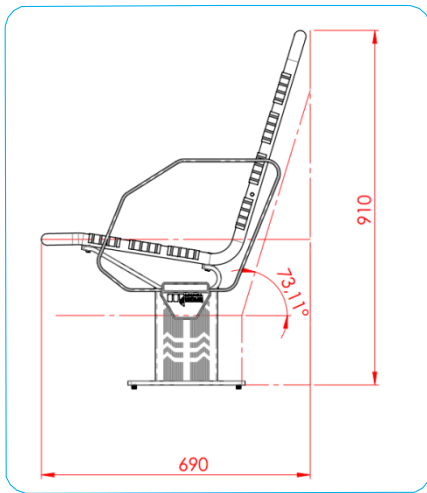


OUTDOOR SEATING

The "Senja outdoor deluxe" is an all weather chair with aluminium ribs, mounted on the same beam and legs as the other chairs in Modell Møbler's range.

The chair is delivered without armrests as standard.

SENJA OUTDOOR ALU



		ARMRESTS – Nos/row								
		0	1	2	3	4	5	6	7	Legs Nos/row
SEATS – Nos/row	1	500								2
	2	1000								2
	3	1500								2
	4*	2000								2
	5	2500								2/3
	6	3000								3

*Weight based on a 4 seat arrangement incl. beam and legs: apprx. 7kgs/seat

*please reconfirm measurements with company!

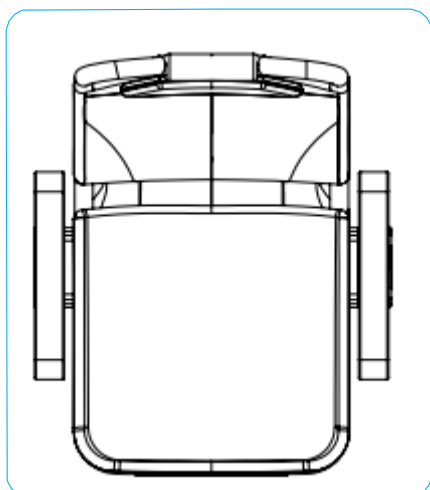
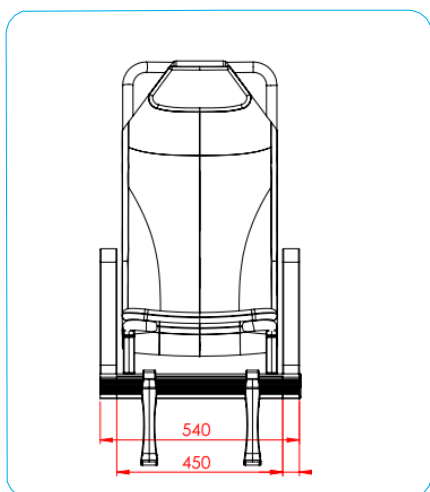
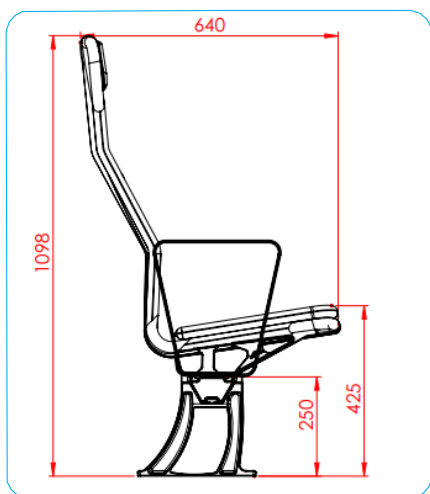


OUTDOOR SEATING

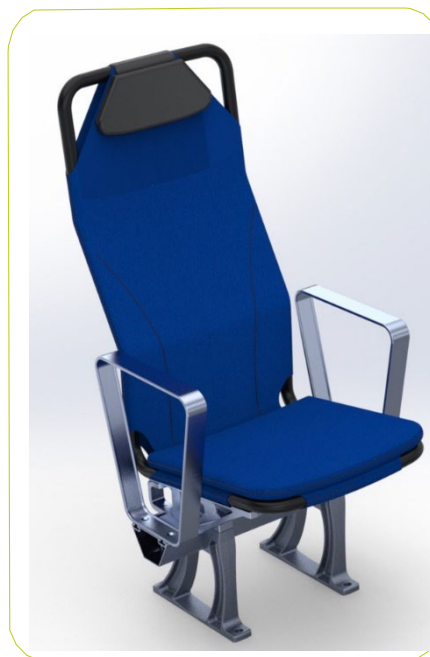
The "Senja Crew" is an all weather chair with removable easy to change fabric, mounted on the same beam and legs as the other chairs in Modell Møbler's range.

The chair is delivered without armrests as standard.

SENJA CREW



*please reconfirm measurements with company!



		ARMRESTS – Nos/row								
		0	1	2	3	4	5	6	7	Legs Nos/row
SEATS – Nos/row	1	500								2
	2	1000								2
	3	1500								2
	4*	2000								2
	5	2500								2/3
	6	3000								3

*Weight based on a 4 seat arrangement incl. beam and legs: apprx. 7kgs/seat

OUTDOOR BENCHES 2021



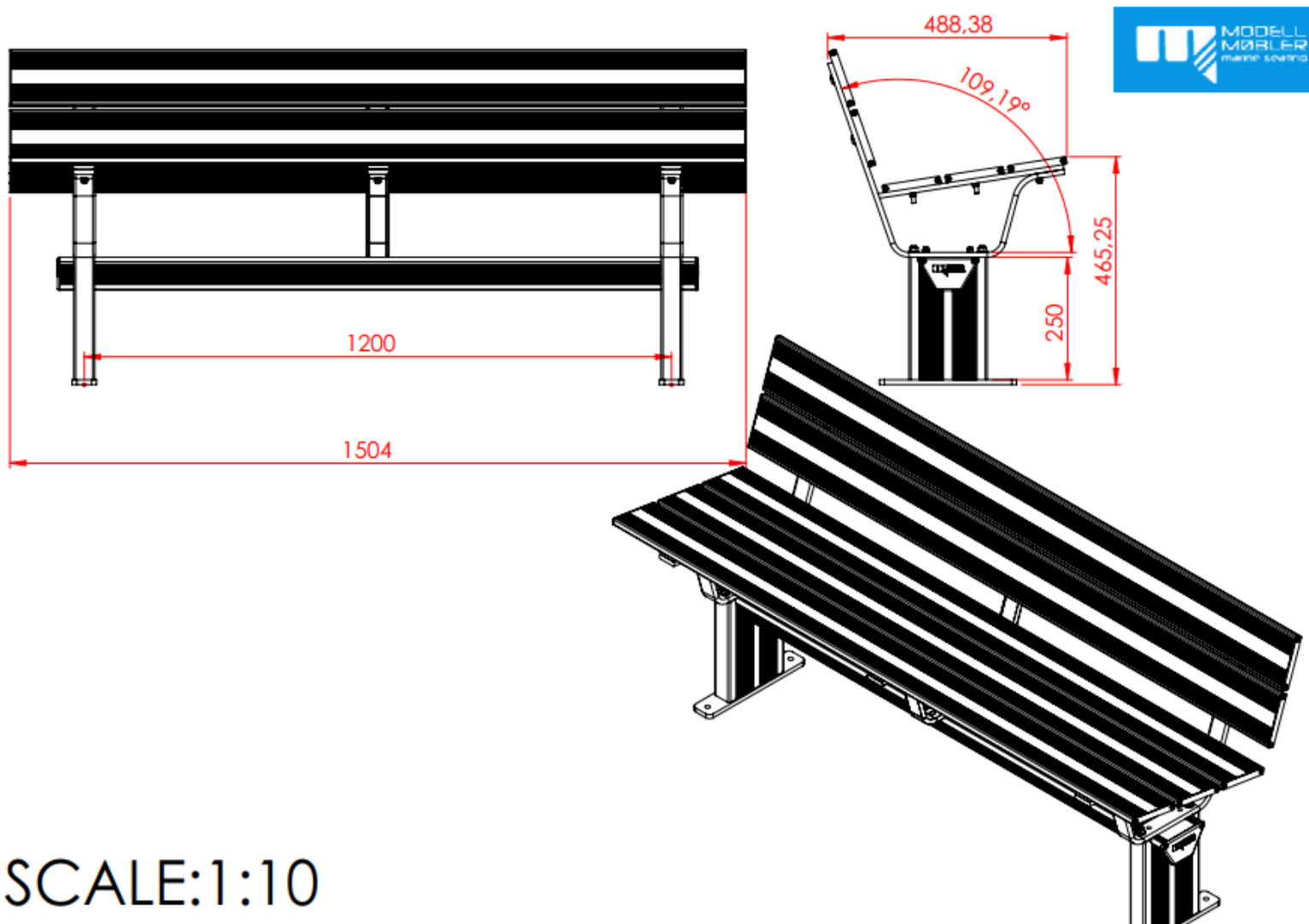
			Weight	Weight	Weight	Weight	Weight	Weight	Legs Nos/row
SEATS – Nos/row	1	500	8,45						2
	2	1000		11,30					2
	3	1500			14,15				2
	4*	2000				17,00			2
	5	2500					19,85		2
*Weight based on a 5 seat arrangement incl. beam and legs: apprx. 4 kgs/seat									

OUTDOOR SEATING

Outdoor benches, produced after customers request. Mounted on the same beam and legs as the other chairs in Modell Møbler's range.

OUTDOOR BENCHES

Art: 2021



TABLES



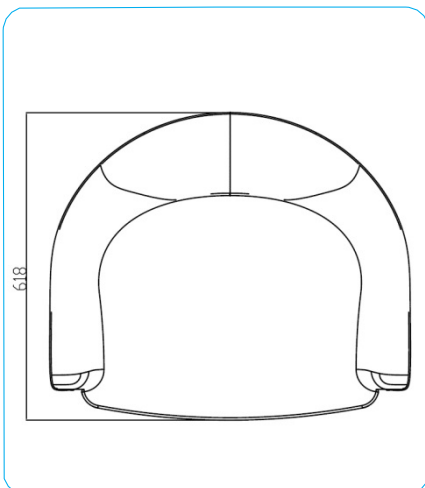
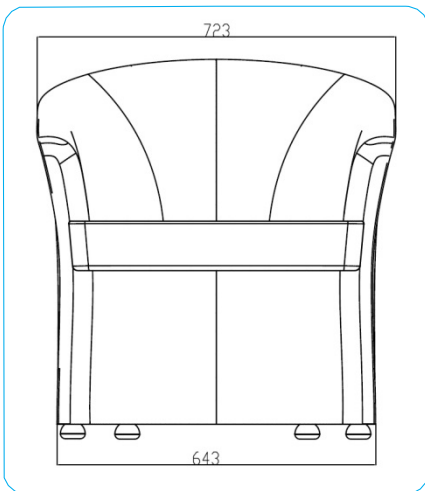
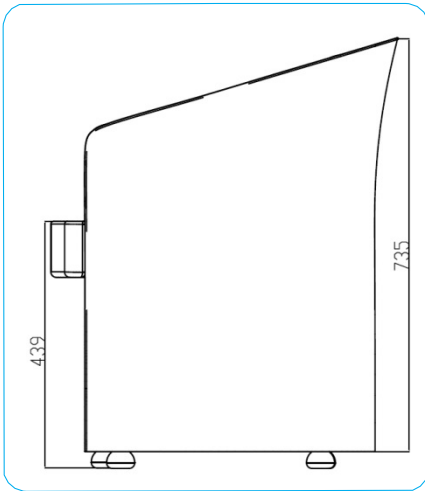
Tables are delivered in several executions. The standardized legs fit perfectly to the floor rail system or may be fitted directly to the floor by means of a base plate. The legs may be delivered separately without the table tops.



Indoor furniture

The "CLUB CHAIR" is an all round chair for use in restaurants, or other places where there is loose furnitures. The chair could be fittet with aluminium plate in bottom, so it could be mounted to the floor. And with coverplate in front, there is also space to hide the life jackets

CLUB



*please reconfirm measurements with company!



		ARMRESTS – Nos/row								
		0	1	2	3	4	5	6	7	Legs Nos/row
SEATS – Nos/row	1	500								2
	2	1000								2
	3	1500								2
	4*	2000								2
	5	2500								2/3
	6	3000								3

*Weight apprx. 15kgs/seat